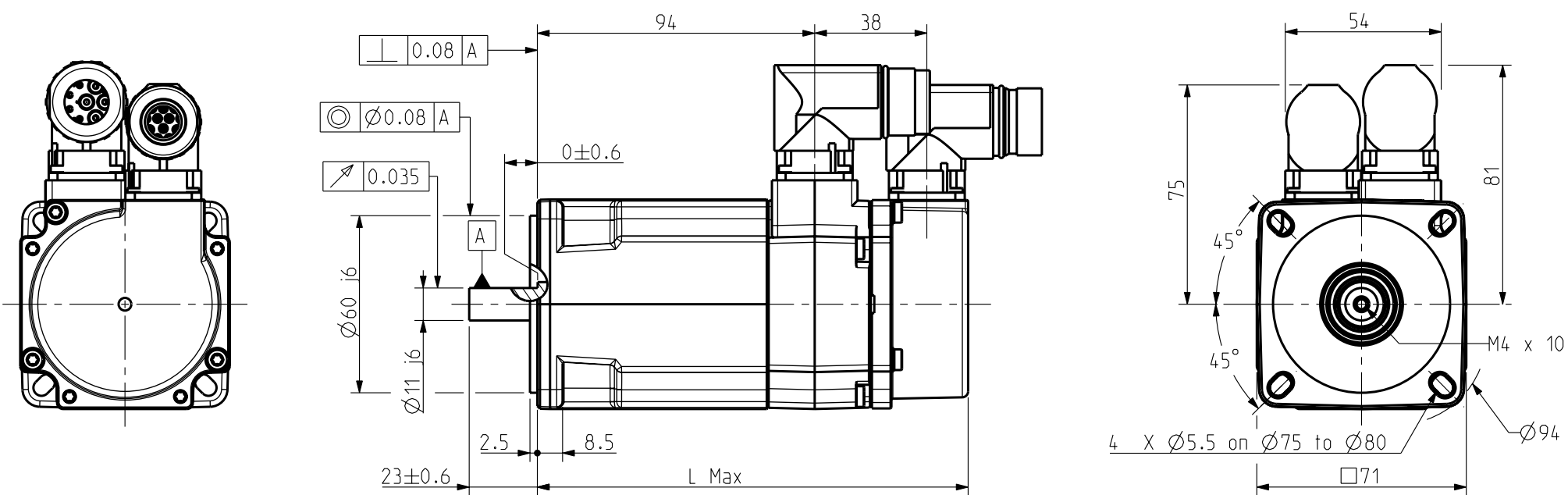
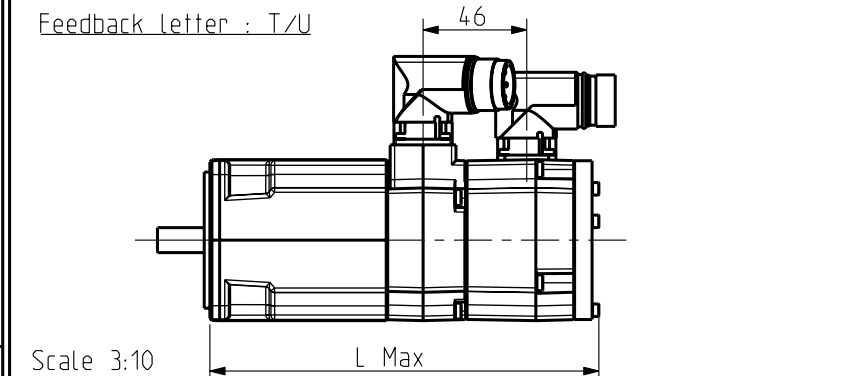
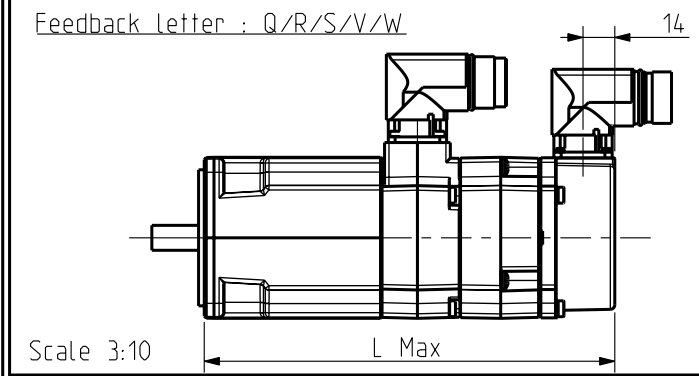


Feedback letter : A

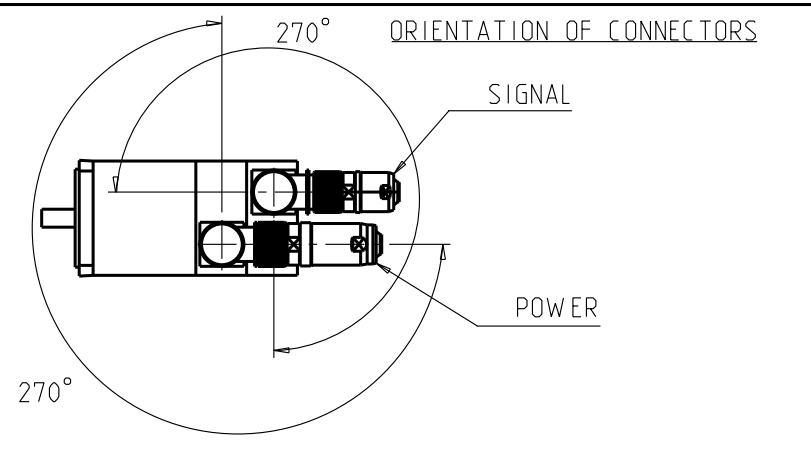


FEEDBACK OPTIONS



Weight

NV310
2 Kg



Feedback options (feedback letter)	Resolver (A)	Hiperface SEL37 (Q)	Hiperface SKS36 (R)	Hiperface SKM36 (S)	Endat ECN1113 (V)	Endat EQN1125 (W)	Hiperface SRS50 (T)	Hiperface SRM50 (U)
L (mm)	147		182		176		173	
L' (mm)	195		230		224		221	

N V 3 1 0 E - - R 7 - - 0

Torque range (depends on length) | Winding (depends on speed) | Encoder speed limit | 0 : IP 64, 1 : IP 65

0 : Without Brake
* : Thermal protection options on drawing 344993

A : Resolver 17000rpm
Q : Hiperface Multiturn SEL37 12000rpm
R : Hiperface Singleturn SKS36 12000rpm
S : Hiperface Multiturn SKM36 9000rpm
T : Hiperface Singleturn SRS50 12000rpm
U : Hiperface Multiturn SRM50 12000rpm
V : Endat Singleturn ECN1113 12000rpm
W : Endat Multiturn EQN1125 12000rpm

See connectors pin out and encoder settings on drawing 344993

Sheet : 1/2

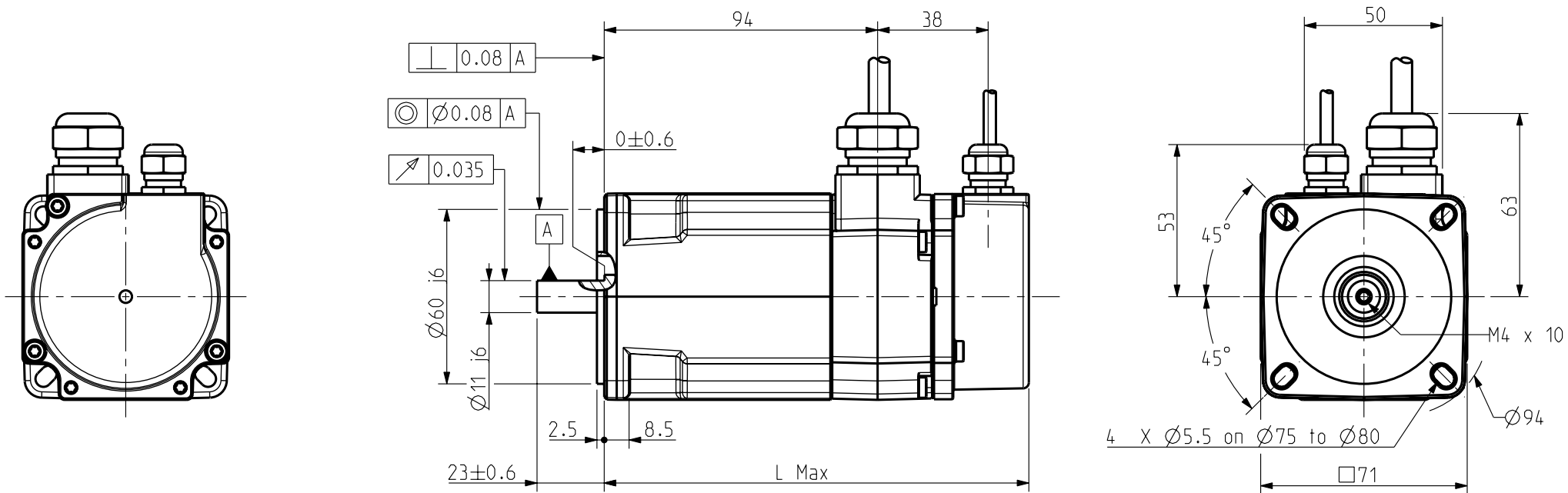
This document is the property of PARVEX. Transmission as well as reproduction or copy is not permitted without written authorisation.	General tolerances	Drawn	12/03/10	OD	Visa														
	DIN ISO 2768 mK	Modifications																	

Parker
SSD Parvex
8 Avenue du lac. BP249
21007-DIJON cedex-FRANCE
www.SSDdrives.com

NV300
CONNECTOR VARIANT

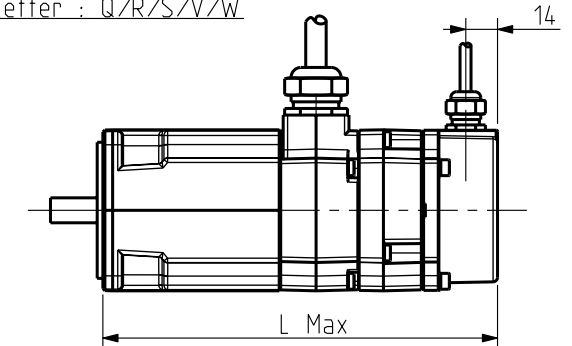
Format	F	E	S	G	I
A3		x			
	344796				

Feedback letter : A



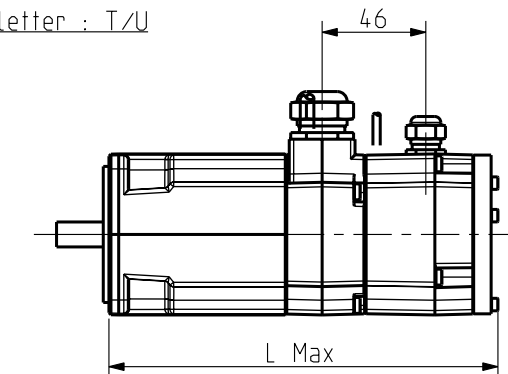
FEEDBACK OPTIONS

Feedback letter : Q/R/S/V/W



Scale 3:10

Feedback letter : T/U



Scale 3:10

Weight

NV310
2 Kg

Feedback options (feedback letter)	Resolver (A)	Hiperface SEL37 (Q)	Hiperface SKS36 (R)	Hiperface SKM36 (S)	Endat ECN1113 (V)	Endat EQN1125 (W)	Hiperface SRS50 (T)	Hiperface SRM50 (U)
L (mm)	147		182		176		173	
L' (mm)	195		230		224		221	

N V 3 1 0 E _ _ R 1 _ _ 0

Torque range (depends on length)

Winding (depends on speed)

0 : IP 64
1 : IP 65

Encoder speed Limit

- A : Resolver 17000rpm
- Q : Hiperface Multiturn SEL37 12000rpm
- R : Hiperface Singleturn SKS36 12000rpm
- S : Hiperface Multiturn SKM36 9000rpm
- T : Hiperface Singleturn SRS50 12000rpm
- U : Hiperface Multiturn SRM50 12000rpm
- V : Endat Singleturn ECN1113 12000rpm
- W : Endat Multiturn EQN1125 12000rpm

0 : Without Brake
* : Thermal protection options on drawing 344993

See connectors pin out and encoder settings on drawing 344993

Sheet : 2/2

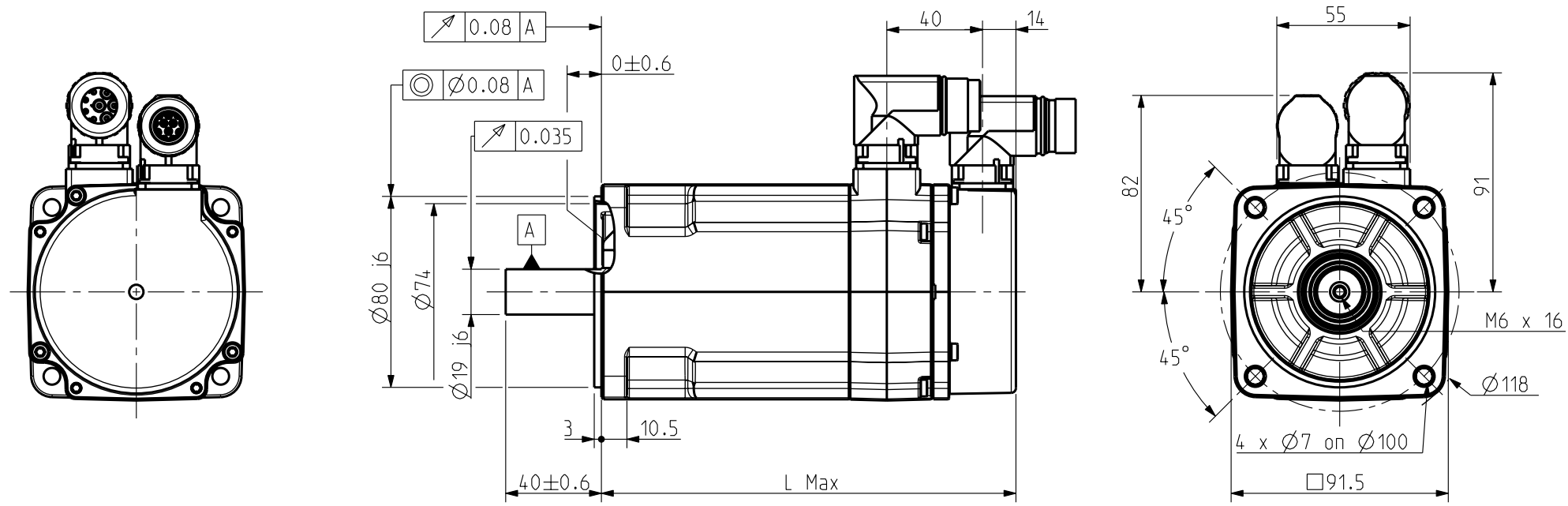
This document is the property of PARVEX. Transmission as well as reproduction or copy is not permitted without written authorisation.	General tolerances	Drawn	12/03/10	OD	Visa														
	DIN ISO 2768 mK	Modifications																	

Parker
SSD Parvex
8 Avenue du Lac. BP249
21007-DIJON cedex-FRANCE
www.SSDdrives.com

NV300
CABLE VARIANT

Format A3
344796

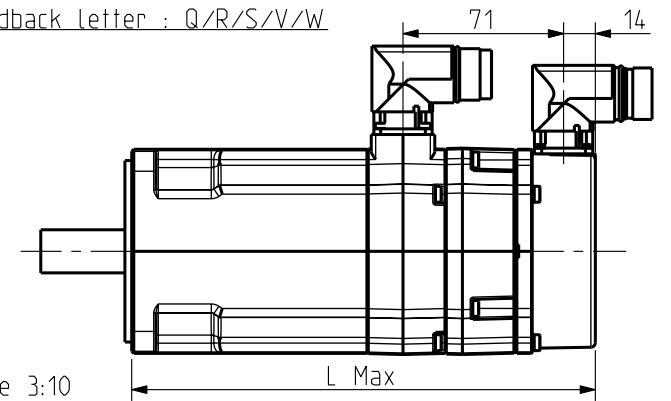
Feedback letter : A



Scale 2:5

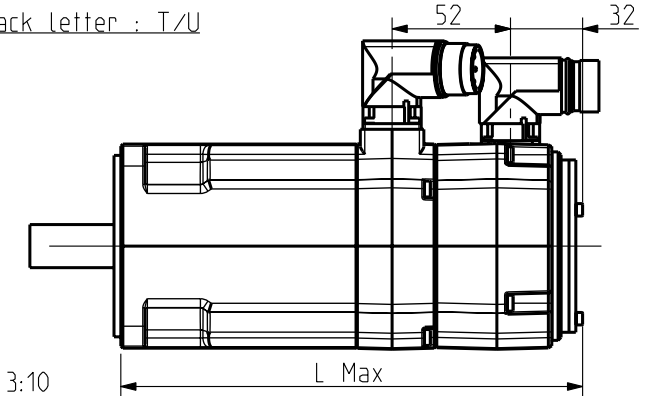
FEEDBACK OPTIONS

Feedback Letter : Q/R/S/V/W

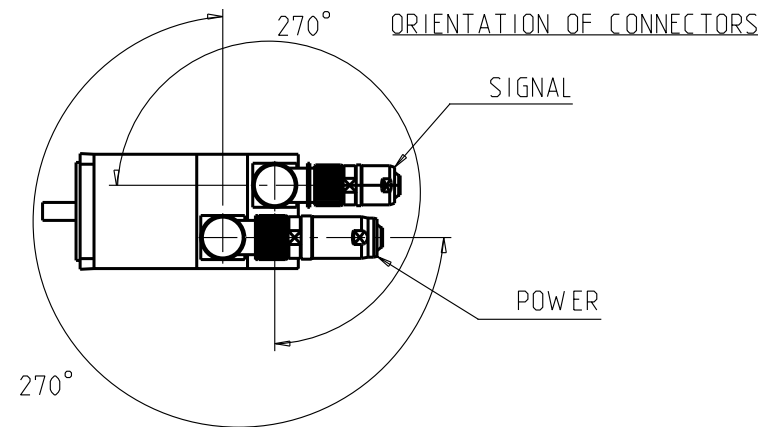


Scale 3:10

Feedback Letter : T/U



Scale 3:10



Weight

NV420	NV430
3.7 Kg	4.6 Kg

	Feedback options (feedback letter)	Resolver (A)	Hiperface SEL37 (Q)	Hiperface SKS36 (R)	Hiperface SKM36 (S)	Endat ECN1113 (V)	Endat EQN1125 (W)	Hiperface SRS50 (T)	Hiperface SRM50 (U)
NV420	L (mm)	175			206				205
	L' (mm)	226			261				256
NV430	L (mm)	200			231				230
	L' (mm)	251			286				281

N V 4 _ _ E _ _ R 7 _ _ 0

Torque range (depends on length)

Winding (depends on speed)

0 : IP 64
1 : IP 65

Encoder speed Limit

A : Resolver	17000rpm
Q : Hiperface Multiturn SEL37	12000rpm
R : Hiperface Singleturn SKS36	12000rpm
S : Hiperface Multiturn SKM36	9000rpm
T : Hiperface Singleturn SRS50	12000rpm
U : Hiperface Multiturn SRM50	12000rpm
V : Endat Singleturn ECN1113	12000rpm
W : Endat Multiturn EQN1125	12000rpm

0 : Without Brake
* : Thermal protection options on drawing 344993

See connectors pin out and encoder settings on drawing 344993

Sheet : 1/2

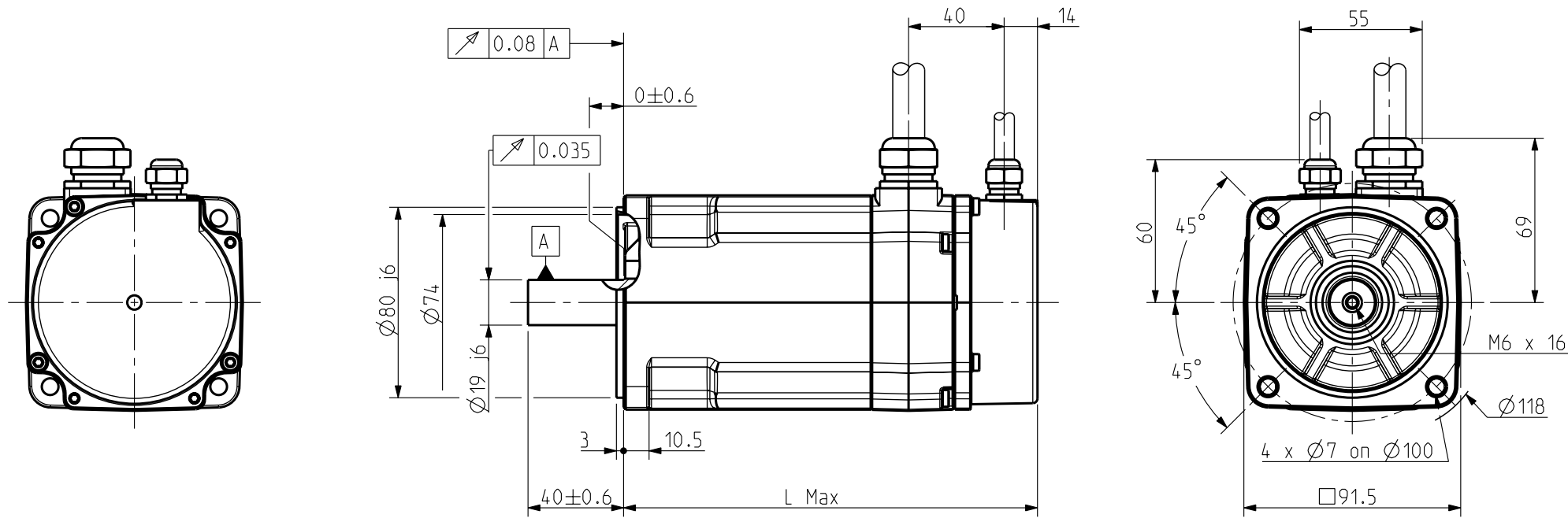
This document is the property of PARVEX. Transmission as well as reproduction or copy is not permitted without written authorisation.	General tolerances	Drawn	12/03/10	OD	Visa															
	DIN ISO 2768 mK	Modifications																		

Parker
SSD Parvex
 8 Avenue du Lac. BP249
 21007-DIJON cedex-FRANCE
 www.SSDdrives.com

NV400
 CONNECTOR VARIANT

Format	F	E	S	G	I
A3	x				
	344797				

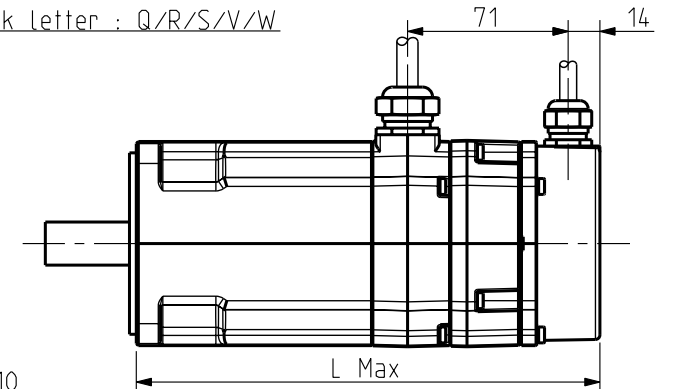
Feedback letter : A



Scale 2:5

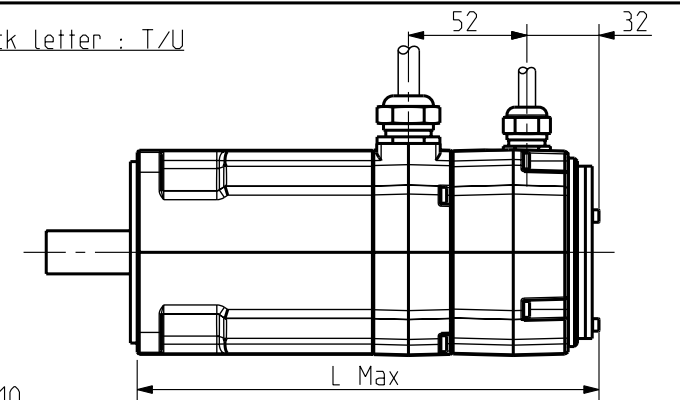
FEEDBACK OPTIONS

Feedback letter : Q/R/S/V/W



Scale 3:10

Feedback letter : T/U



Scale 3:10

Weight

NV420	NV430
3.7 Kg	4.6 Kg

	Feedback options (feedback letter)	Resolver (A)	Hiperface SEL37 (Q)	Hiperface SKS36 (R)	Hiperface SKM36 (S)	Endat ECN1113 (V)	Endat EQN1125 (W)	Hiperface SRS50 (T)	Hiperface SRM50 (U)
NV420	L (mm)	175			206				205
	L' (mm)	226			261				256
NV430	L (mm)	200			231				230
	L' (mm)	251			286				281

N V 4 _ _ E _ _ R 1 _ _ 0

Torque range (depends on length)

Winding (depends on speed)

0 : IP 64
1 : IP 65

Encoder speed limit

- A : Resolver 17000rpm
- Q : Hiperface Multiturn SEL37 12000rpm
- R : Hiperface Singleturn SKS36 12000rpm
- S : Hiperface Multiturn SKM36 9000rpm
- T : Hiperface Singleturn SRS50 12000rpm
- U : Hiperface Multiturn SRM50 12000rpm
- V : Endat Singleturn ECN1113 12000rpm
- W : Endat Multiturn EQN1125 12000rpm

0 : Without Brake
* : Thermal protection options on drawing 344993

See connectors pin out and encoder settings on drawing 344993

Sheet : 2/2

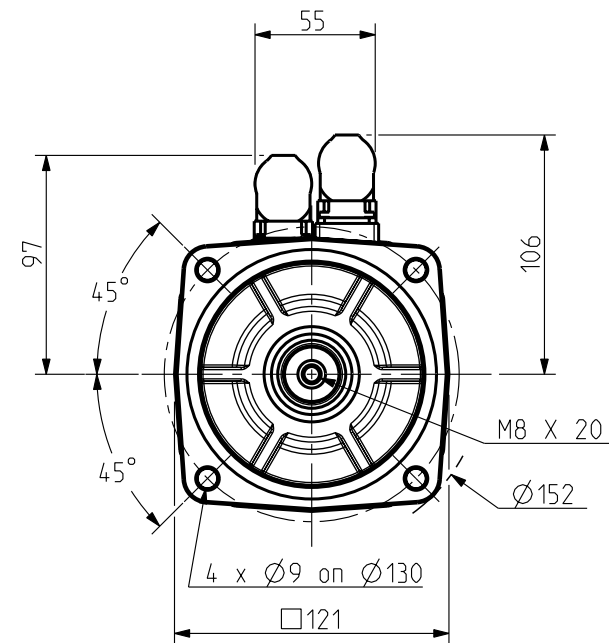
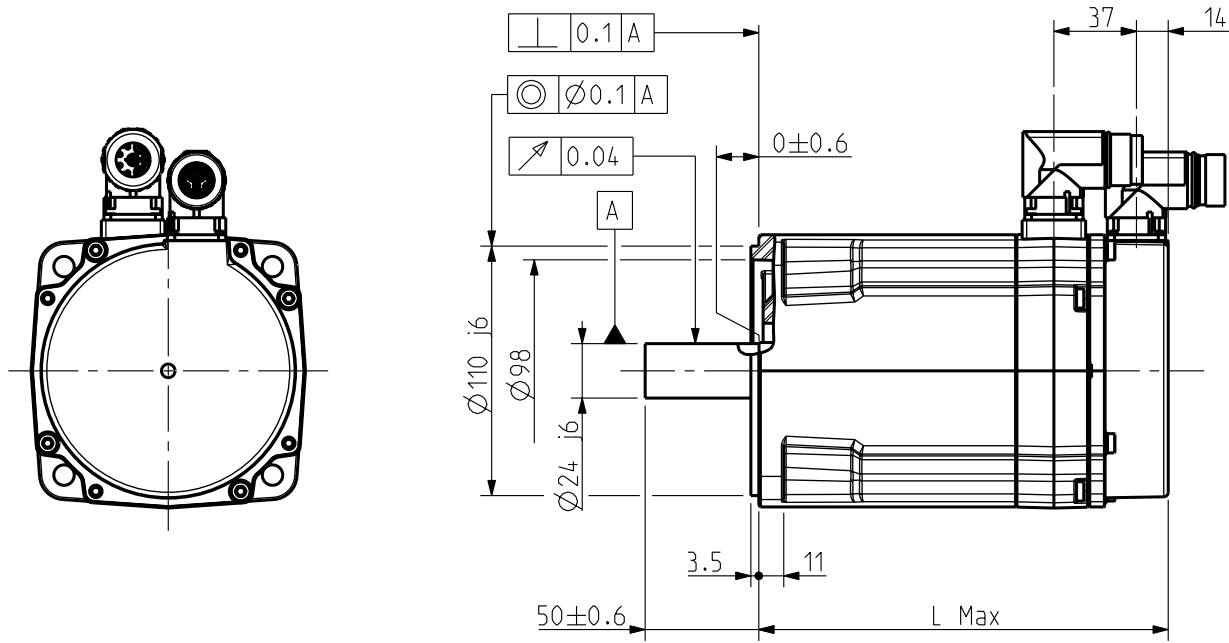
This document is the property of PARVEX. Transmission as well as reproduction or copy is not permitted without written authorisation.	General tolerances	Drawn	12/03/10	OD	Visa															
	DIN ISO 2768 mK	Modifications																		

Parker
SSD Parvex
 8 Avenue du Lac. BP249
 21007-DIJON cedex-FRANCE
 www.SSDdrives.com

NV400
 CABLE VARIANT

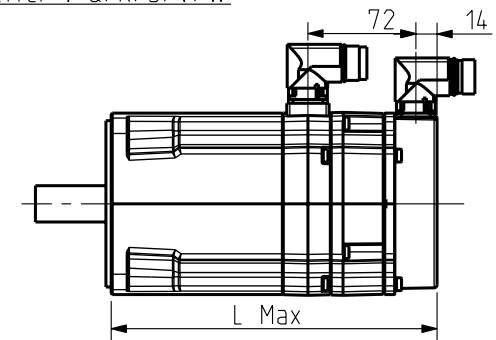
Format A3
 F E S G I
 x
 344797

Feedback letter : A



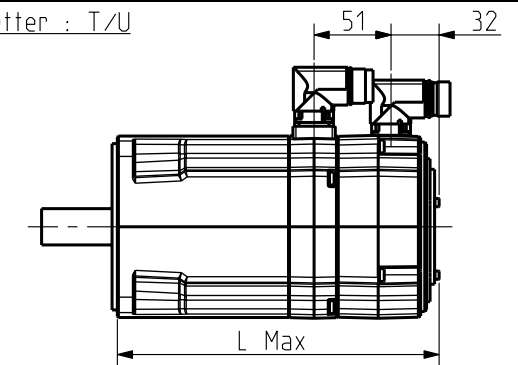
FEEDBACK OPTIONS

Feedback Letter : Q/R/S/V/W



Scale 1:5

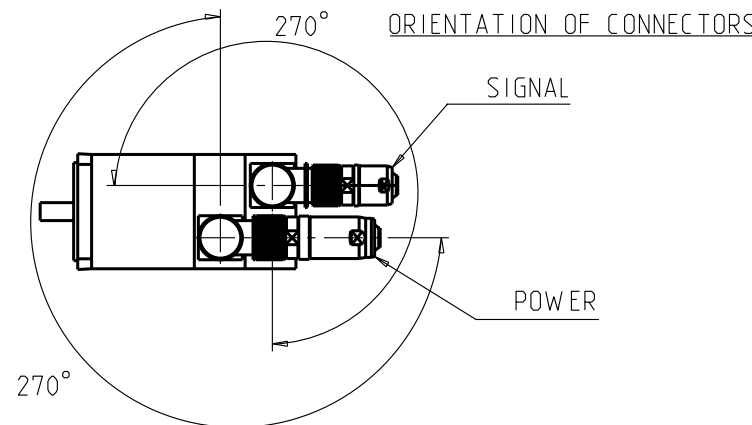
Feedback Letter : T/U



Scale 1:5

WEIGHT

NV620	NV630
6.9 Kg	8.8 Kg



	Feedback options (feedback letter)	Resolver (A)	Hiperface SEL37 (Q)	Hiperface SKS36 (R)	Hiperface SKM36 (S)	Endat ECN1113 (V)	Endat EQN1125 (W)	Hiperface SRS50 (T)	Hiperface SRM50 (U)
NV620	L (mm)	181			216				214
	L' (mm)	236			271				269
NV630	L (mm)	210			245				243
	L' (mm)	265			300				298

N V 6 _ _ E _ _ R 7 _ _ 0

Torque range (depends on length)

Winding (depends on speed)

0 : IP 64
1 : IP 65

Encoder speed limit

- A : Resolver 17000rpm
- Q : Hiperface Multiturn SEL37 12000rpm
- R : Hiperface Singleturn SKS36 12000rpm
- S : Hiperface Multiturn SKM36 9000rpm
- T : Hiperface Singleturn SRS50 12000rpm
- U : Hiperface Multiturn SRM50 12000rpm
- V : Endat Singleturn ECN1113 12000rpm
- W : Endat Multiturn EQN1125 12000rpm

0 : Without Brake
* : Thermal protection options on drawing 344993

See connectors pin out and encoder settings on drawing 344993

sheet : 1/2

This document is the property of PARVEX. Transmission as well as reproduction or copy is not permitted without written authorisation.	General tolerances	Drawn	12/03/10	OD	Visa															
	DIN ISO 2768 mK	Modifications																		

SSD Parvex

 8 Avenue du lac. BP249

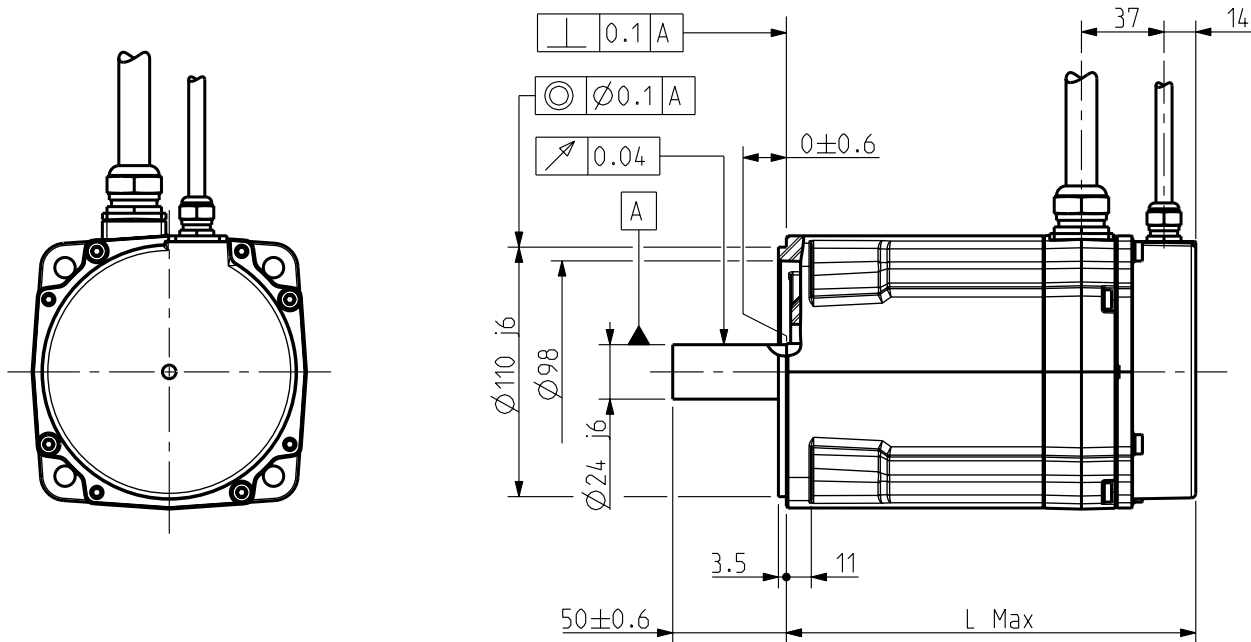
 21007-DIJON cedex-FRANCE

 www.SSDdrives.com

NV600
 CONNECTOR VARIANT

Format A3
 344798

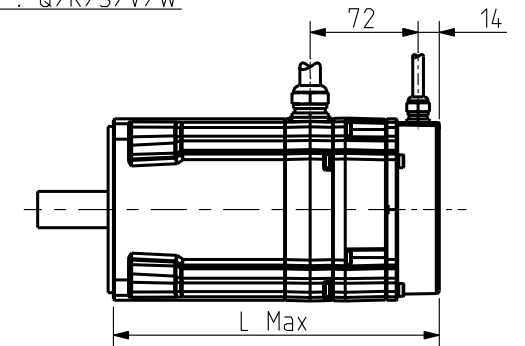
Feedback letter : A



Scale 3:10

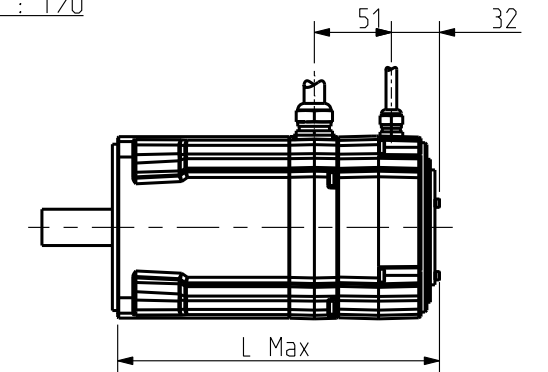
FEEDBACK OPTIONS

Feedback Letter : Q/R/S/V/W



Scale 1:5

Feedback Letter : T/U



Scale 1:5

WEIGHT

NV620	NV630
6.9 Kg	8.8 Kg

	Feedback options (feedback letter)	Resolver (A)	Hiperface SEL37 (Q)	Hiperface SKS36 (R)	Hiperface SKM36 (S)	Endat ECN1113 (V)	Endat EQN1125 (W)	Hiperface SRS50 (T)	Hiperface SRM50 (U)
NV620	L (mm)	181			216				214
	L' (mm)	236			271				269
NV630	L (mm)	210			245				243
	L' (mm)	265			300				298

N V 6 _ _ E _ _ R 1 _ _ 0

Torque range (depends on length)

Winding (depends on speed)

Encoder speed limit

A : Resolver	17000rpm
Q : Hiperface Multiturn SEL37	12000rpm
R : Hiperface Singleturn SKS36	12000rpm
S : Hiperface Multiturn SKM36	9000rpm
T : Hiperface Singleturn SRS50	12000rpm
U : Hiperface Multiturn SRM50	12000rpm
V : Endat Singleturn ECN1113	12000rpm
W : Endat Multiturn EQN1125	12000rpm

0 : IP 64
1 : IP 65

0 : Without Brake
* : Thermal protection options on drawing 344993

See connectors pin out and encoder settings on drawing 344993

sheet : 2/2

This document is the property of PARVEX. Transmission as well as reproduction or copy is not permitted without written authorisation.	General tolerances	Drawn	11/03/10	OD	Visa															
	DIN ISO 2768 mK	Modifications																		

SSD Parvex

 8 Avenue du Lac. BP249

 21007-DIJON cedex-FRANCE

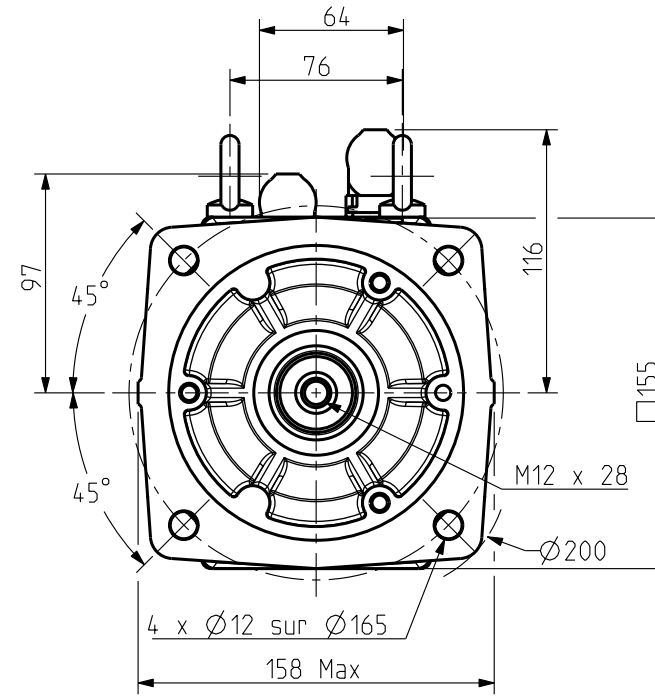
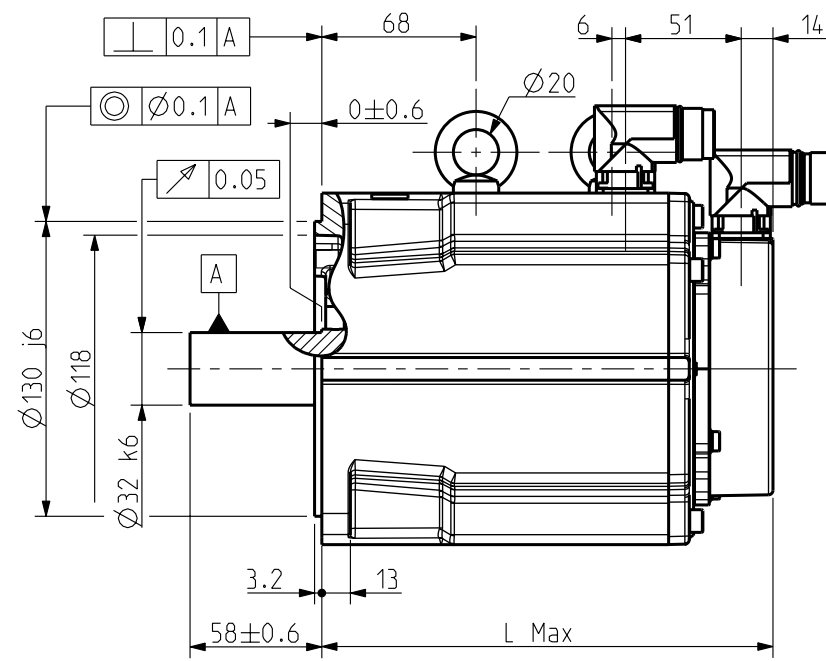
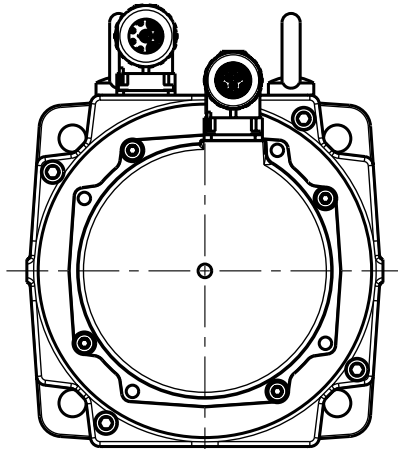
 www.SSDdrives.com

NV600

 CABLE VARIANT

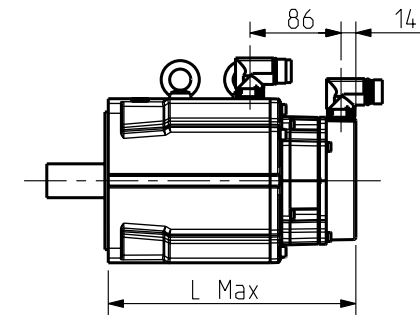
Format	F	E	S	G	I
A3		x			
	344798				
	-				

Feedback letter : A



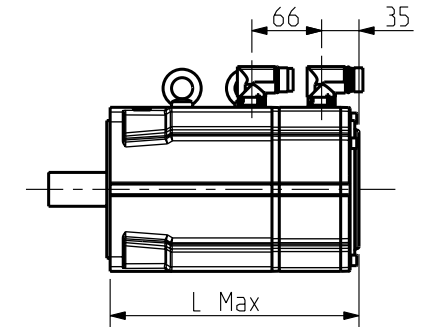
FEEDBACK OPTIONS

Feedback letter : Q/R/S/V/W



Scale 7:50

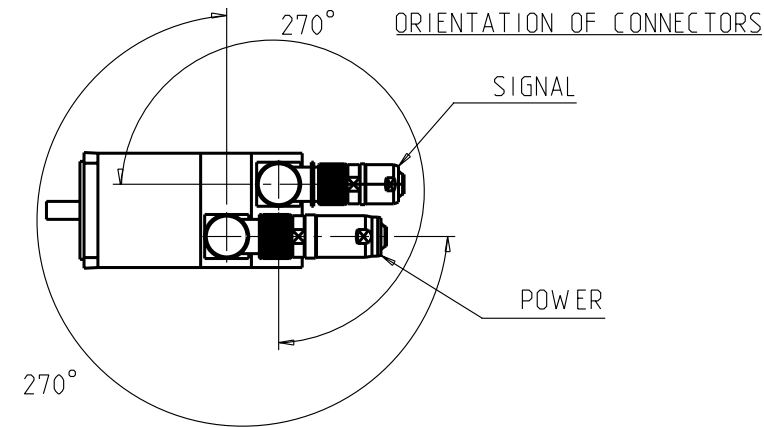
Feedback letter : T/U



Scale 7:50

Weight

NV820	NV840	NV860
13 Kg	20 Kg	27 Kg



	Feedback options (feedback letter)	Resolver (A)	Hiperface SEL37 (Q)	Hiperface SKS36 (R)	Hiperface SKM36 (S)	Endat ECN1113 (V)	Endat EQN1125 (W)	Hiperface SRS50 (T)	Hiperface SRM50 (U)
NV820	L (mm)	200			235			236	
	L' (mm)	266			301			282	
NV840	L (mm)	260			295			296	
	L' (mm)	326			361			342	
NV860	L (mm)	320			355			356	
	L' (mm)	386			421			402	

N V 8 _ _ E _ _ R 7 _ _ 0

Torque range (depends on length)

Winding (depends on speed)

Encoder speed limit

- A : Resolver 17000rpm
- Q : Hiperface Multiturn SEL37 12000rpm
- R : Hiperface Singleturn SKS36 12000rpm
- S : Hiperface Multiturn SKM36 9000rpm
- T : Hiperface Singleturn SRS50 12000rpm
- U : Hiperface Multiturn SRM50 12000rpm
- V : Endat Singleturn ECN1113 12000rpm
- W : Endat Multiturn EQN1125 12000rpm

0 : IP 64
1 : IP 65

0 : Without Brake
* : Thermal protection options on drawing 344993

See connectors pin out and encoder settings on drawing 344993

Sheet:1/3

This document is the property of PARVEX. Transmission as well as reproduction or copy is not permitted without written authorisation.

General tolerances
DIN ISO 2768 mK

Drawn	12/03/10	OD	Visa						
Modifications									

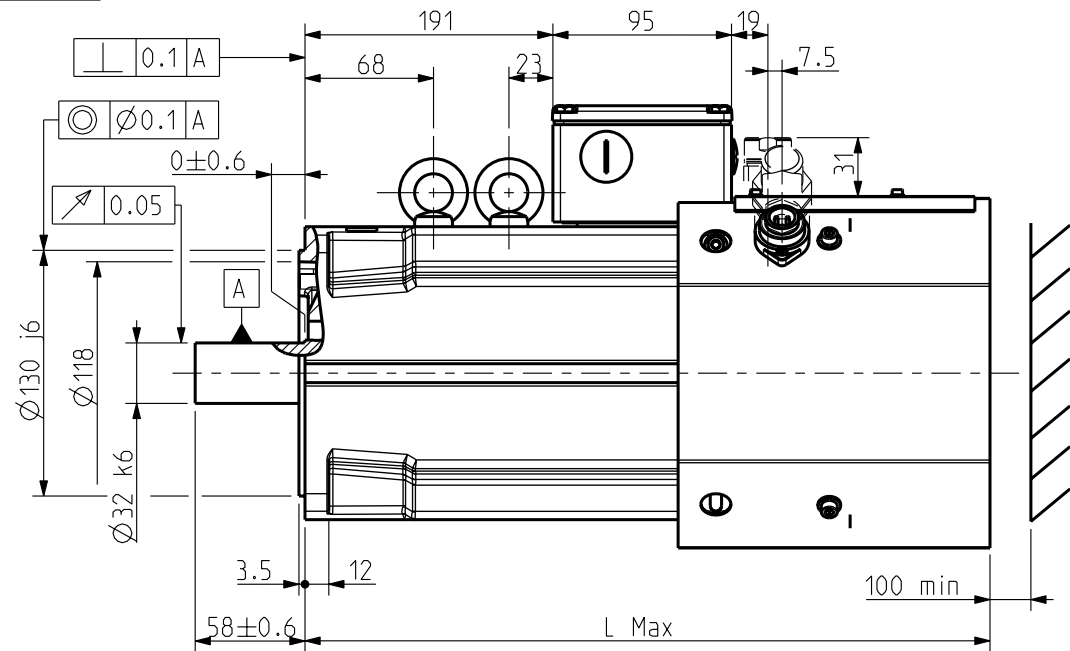
Scale
3:10

Parker
SSD Parvex
8 Avenue du lac. BP249
21007-DIJON cedex-FRANCE
www.SSDdrives.com

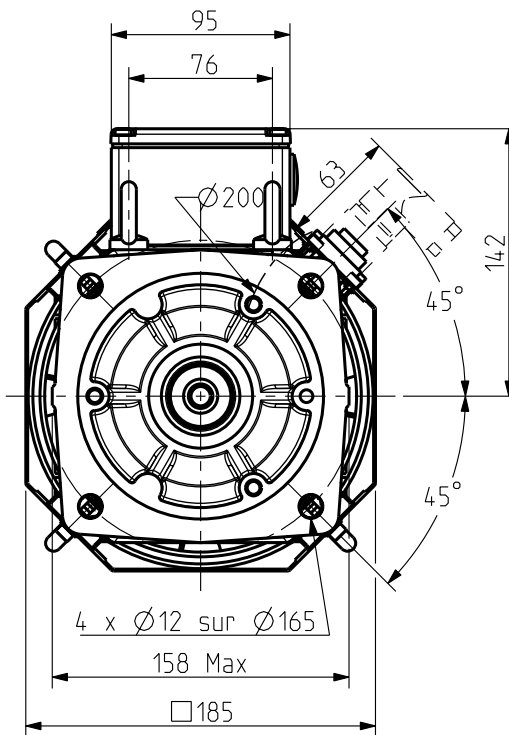
NV800
CONNECTOR VARIANT

Format A3
F E S G I
X
344799

Feedback letter : A

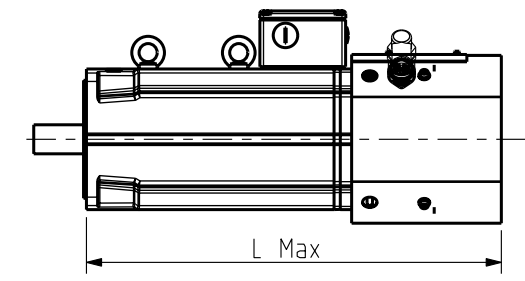


Scale 1:4



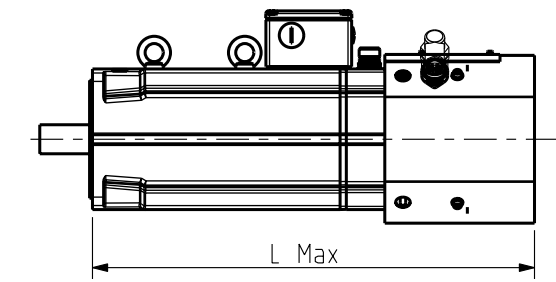
FEEDBACK OPTIONS

Feedback letter : Q/R/S/V/W



Scale 3:25

Feedback letter : T/U

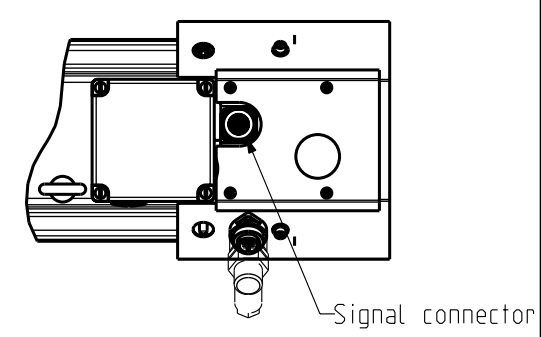


Scale 3:25

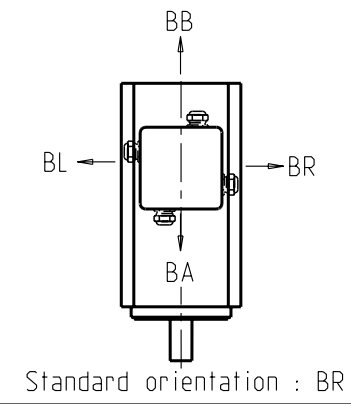
Weight

NV860
30.5 Kg

TOP VIEW



POWER TERMINAL BOX ORIENTATION



	Feedback options (feedback letter)	Resolver (A)	Hiperface SEL37 (Q)	Hiperface SKS36 (R)	Hiperface SKM36 (S)	Endat ECN1113 (V)	Endat EQN1125 (W)	Hiperface SRS50 (T)	Hiperface SRM50 (U)
NV860	L (mm)	424		424		460		490	
	L' (mm)	490		490		525		555	

N V 8 _ _ V _ _ R 9 _ _ 0

Torque range (depends on length)

Winding (depends on speed)

Encoder speed limit

- A : Resolver 17000rpm
- Q : Hiperface Multiturn SEL37 12000rpm
- R : Hiperface Singleturn SKS36 12000rpm
- S : Hiperface Multiturn SKM36 9000rpm
- T : Hiperface Singleturn SRS50 12000rpm
- U : Hiperface Multiturn SRM50 12000rpm
- V : Endat Singleturn ECN1113 12000rpm
- W : Endat Multiturn EQN1125 12000rpm

- 0 : IP 64
- 1 : IP 65
- 0 : Without Brake
- * : Thermal protection options on drawing 344993

** UL TERMINAL BOX AND VENTILATION

See connectors pin out and encoder settings on drawing 344993

Sheet:3/3

This document is the property of PARVEX.Transmission as well as reproduction or copy is not permitted without written authorisation.

General tolerances
DIN ISO 2768 mK

Drawn	12/03/10	OD	Visa						
Modifications									

Scale
1:4

Parker
SSD Parvex
8 Avenue du Lac. BP249
21007-DIJON cedex-FRANCE
www.SSDdrives.com

NV800
TERMINAL BOX - VENTILATED

Format	F	E	S	G	I
A3		x			
344799					