

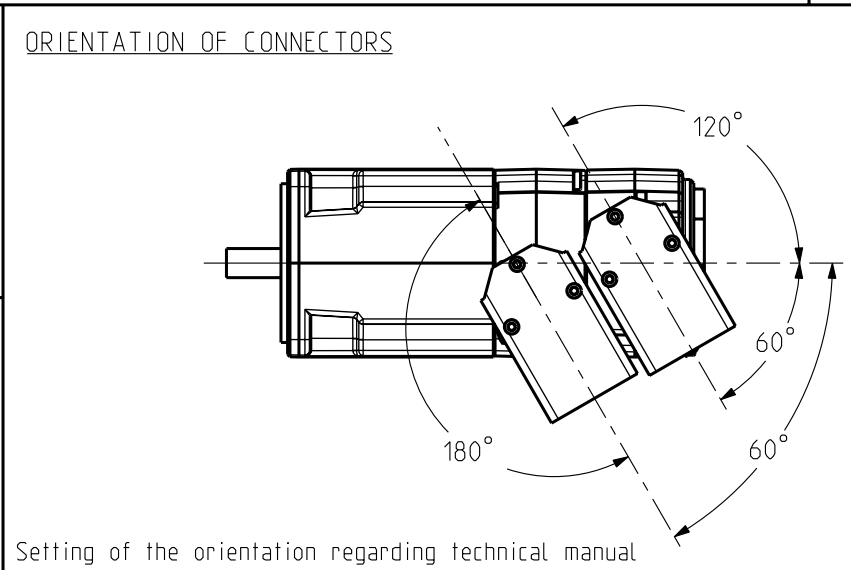
**BRAKE**

Supply voltage : 24V ±10%  
Static torque

20°C	2 Nm
100°C	1.8 Nm

**Weight**

	EY310
No Brake	2 Kg
With Brake	2.4 Kg



Feedback Letter : Y (Sensorless)

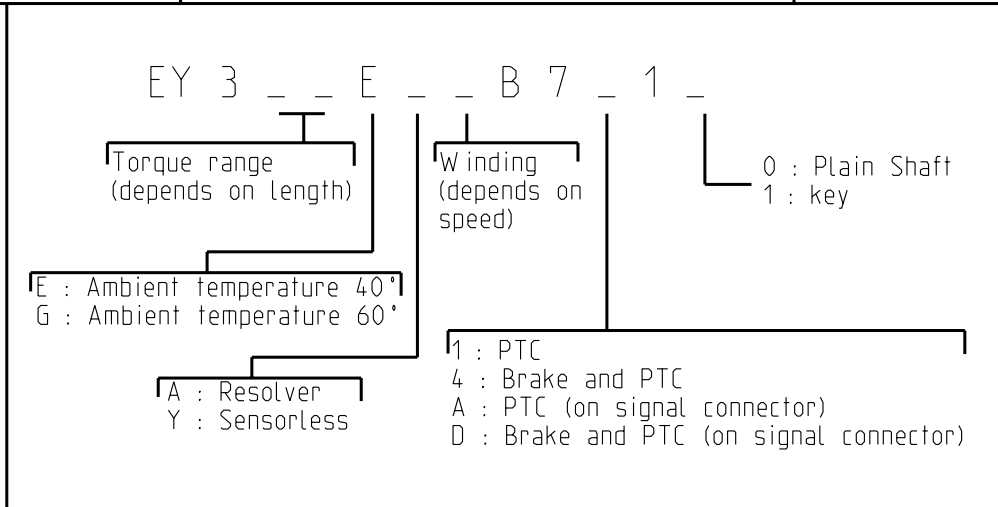
SCALE 3:10

Brake version

Protection  
 .II 3 G Ex nA IIC T3 Gc IP65  
 .II 3 D Ex tc IIIC T200°C Dc IP65

Suivant les normes / Regarding standards :  
 \*EN 60079-0 : 2012 + A11 : 2013;  
 \*EN 60079-15 : 2010 ;  
 \*EN 60079-31 : 2014 ;

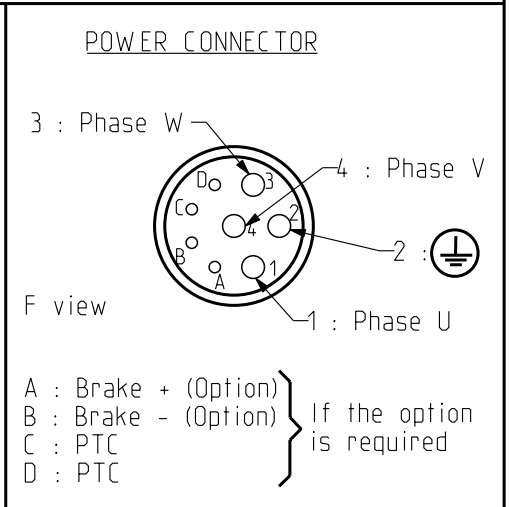
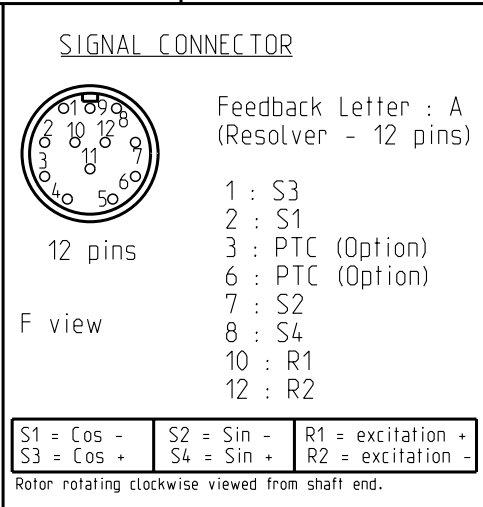
		Resolver (A)	Sensorless (Y)
EY310	L (mm)	159	159
	L' (mm)	207	207



**ENCODER SETTINGS**

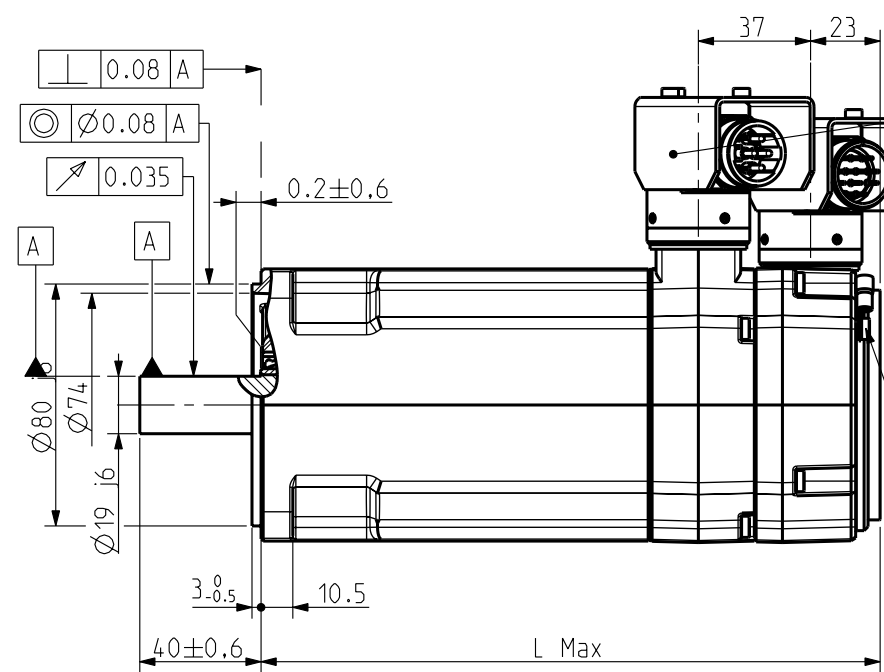
Feedback Letter : A

Motor powered by direct current at the current nominal value (W+ et V-), the shift is 90° electrical

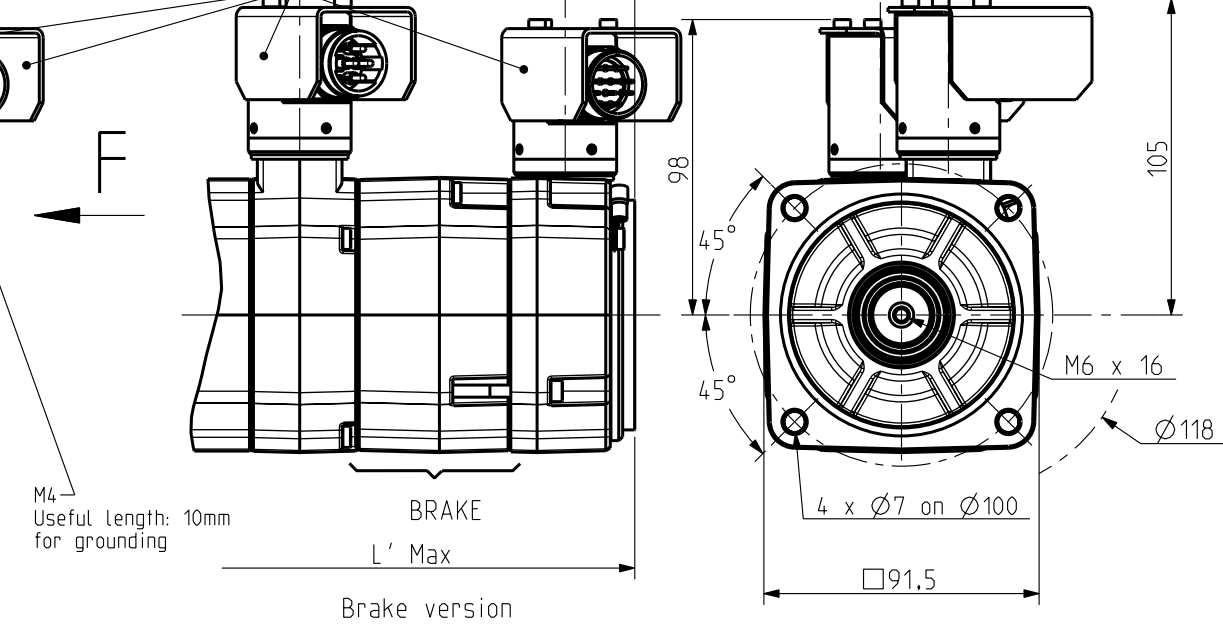


THIS DOCUMENT CONTAINS INFORMATION THAT IS CONFIDENTIAL AND PROPRIETARY TO PARKER-HANNIFIN CORPORATION. THIS DOCUMENT IS FURNISHED ON THE UNDERSTANDING THAT THE DOCUMENT AND THE INFORMATION IT CONTAINS WILL NOT BE COPIED OR DISCLOSED TO OTHERS OR USED FOR ANY PURPOSE OTHER THAN CONDUCTING BUSINESS WITH PARKER-HANNIFIN CORPORATION, AND WILL BE RETURNED AND ALL FURTHER USE DISCONTINUED UPON REQUEST BY PARKER-HANNIFIN CORPORATION. THE RECIPIENT OF THIS DOCUMENT THROUGH ITS OWN ANALYSIS AND TESTING IS SOLELY RESPONSIBLE FOR MAKING THE FINAL SELECTION OF THE APPLICABLE SYSTEM AND COMPONENTS AND ASSURING THAT ALL PERFORMANCE, ENDURANCE, MAINTENANCE, SAFETY AND WARNING REQUIREMENTS OF THE APPLICATION ARE MET. COPYRIGHT PARKER-HANNIFIN CORPORATION. YEAR OF COPYRIGHT IS FIRST YEAR INDICATED ON THIS DOCUMENT. ALL RIGHTS RESERVED.

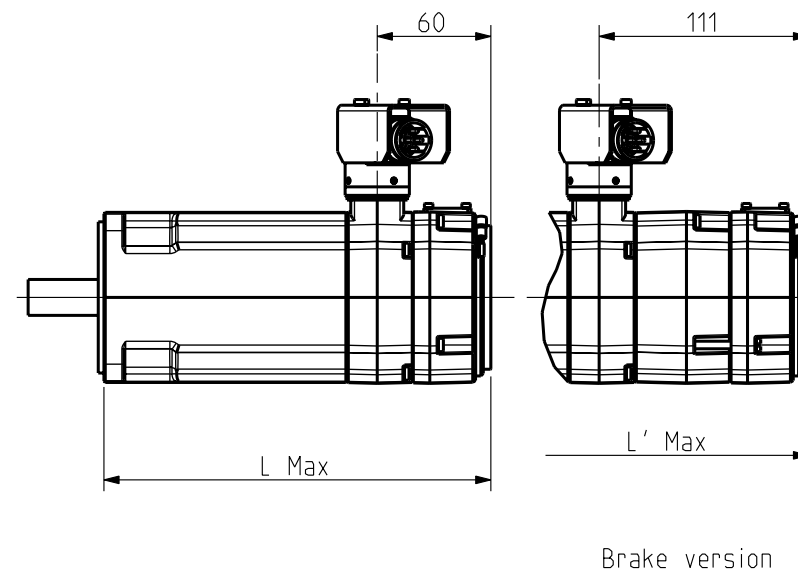
Feedback letter : A (Resolver)



MANDATORY : Covers must be mounted according to technical manual



Feedback letter : Y (Sensorless)



Shaft End

Key (Option)

M6 x 16

SCALE 2:5

**BRAKE**

Supply voltage : 24V ±10%  
Static torque

	EY420	EY430
20 °C	5,5 Nm	5,5 Nm
100 °C	4 Nm	4 Nm

**Weight**

	EY420	EY430
No Brake	3,7 Kg	4,6 Kg
With Brake	4,5 Kg	5,4 Kg

**ORIENTATION OF CONNECTORS**

SCALE 3:10

Setting of the orientation regarding technical manual

Protection  
.II 3 G Ex nA IIC T3 Gc IP65  
.II 3 D Ex tc IIIC T200°C Dc IP65

Suivant les normes / Regarding standards :  
\*EN 60079-0 : 2012 + A11 : 2013;  
\*EN 60079-15 : 2010 ;  
\*EN 60079-31 : 2014 ;

		Resolver (A)	Sensorless (Y)
EY420	L (mm)	181	181
	L' (mm)	232	232
EY430	L (mm)	206	206
	L' (mm)	257	257

EY 4 \_ \_ E \_ \_ B 7 \_ 1 \_

Torque range (depends on length)  
Winding (depends on speed)  
0 : Plain Shaft  
1 : key

E : Ambient temperature 40°  
G : Ambient temperature 60°

A : Resolver  
Y : Sensorless

1 : PTC  
4 : Brake and PTC  
A : PTC (on signal connector)  
D : Brake and PTC (on signal connector)

**ENCODER SETTINGS**

Feedback Letter : A

Motor powered by direct current at the current nominal value (W+ et V-), the shift is 90° electrical

**SIGNAL CONNECTOR**

12 pins

F view

Feedback Letter : A (Resolver - 12 pins)

1 : S3  
2 : S1  
3 : PTC (Option)  
6 : PTC (Option)  
7 : S2  
8 : S4  
10 : R1  
12 : R2

S1 = Cos -	S2 = Sin -	R1 = excitation +
S3 = Cos +	S4 = Sin +	R2 = excitation -

Rotor rotating clockwise viewed from shaft end.

**POWER CONNECTOR**

3 : Phase W  
4 : Phase V  
2 : Ground  
1 : Phase U

F view

A : Brake + (Option)  
B : Brake - (Option)  
C : PTC  
D : PTC

If the option is required

General tolerances  
DIN ISO 2768 mK

Drawn	05/04/2016	PF	Visa
Modifications			
B	AN24593 - 15/09/2016	PF	
A	AM24590 - 12/09/2016	PF	

Scale 2:5

4 Bd Eiffel. CS 40090  
21604 LONGVIC CEDEX

EY400

OUTLINE DRAWING

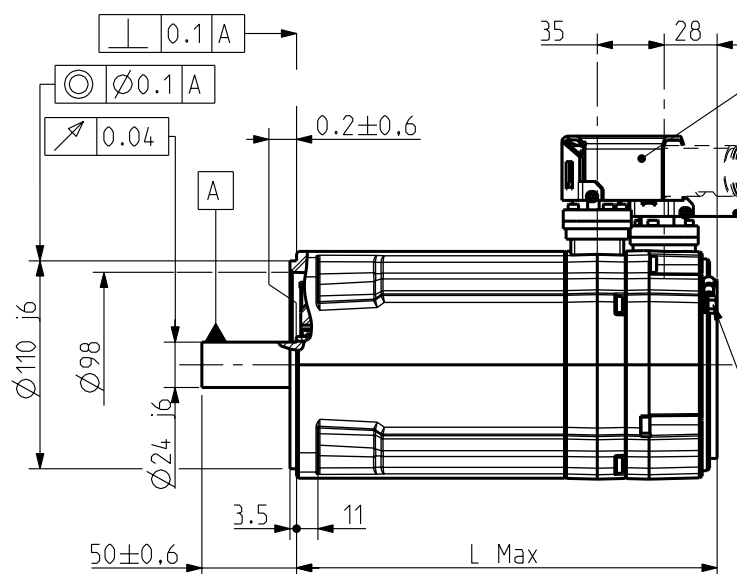
Sheet:1/1

Format	F	E	S	G	I
A3	x				

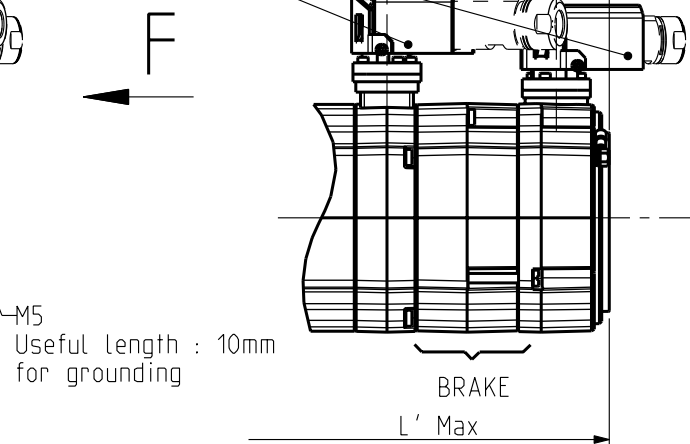
345348

THIS DOCUMENT CONTAINS INFORMATION THAT IS CONFIDENTIAL AND PROPRIETARY TO PARKER-HANNIFIN CORPORATION. THIS DOCUMENT IS FURNISHED ON THE UNDERSTANDING THAT THE DOCUMENT AND THE INFORMATION IT CONTAINS WILL NOT BE COPIED OR DISCLOSED TO OTHERS OR USED FOR ANY PURPOSE OTHER THAN CONDUCTING BUSINESS WITH PARKER-HANNIFIN CORPORATION. AND WILL BE RETURNED AND ALL FURTHER USE DISCONTINUED UPON REQUEST BY PARKER-HANNIFIN CORPORATION. THE RECIPIENT OF THIS DOCUMENT THROUGH ITS OWN ANALYSIS AND TESTING IS SOLELY RESPONSIBLE FOR MAKING THE FINAL SELECTION OF THE APPLICABLE SYSTEM AND COMPONENTS AND ASSURING THAT ALL PERFORMANCE, ENDURANCE, MAINTENANCE, SAFETY AND WARNING REQUIREMENTS OF THE APPLICATION ARE MET. COPYRIGHT PARKER-HANNIFIN CORPORATION. YEAR OF COPYRIGHT IS FIRST YEAR INDICATED ON THIS DOCUMENT. ALL RIGHTS RESERVED.

Feedback letter : A (Resolver)

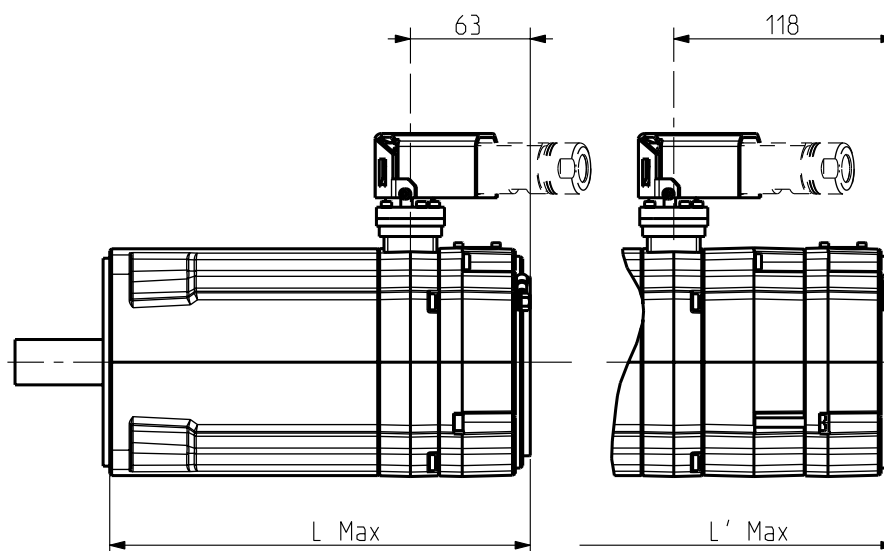


MANDATORY : Covers must be mounted according to technical manual



Brake version

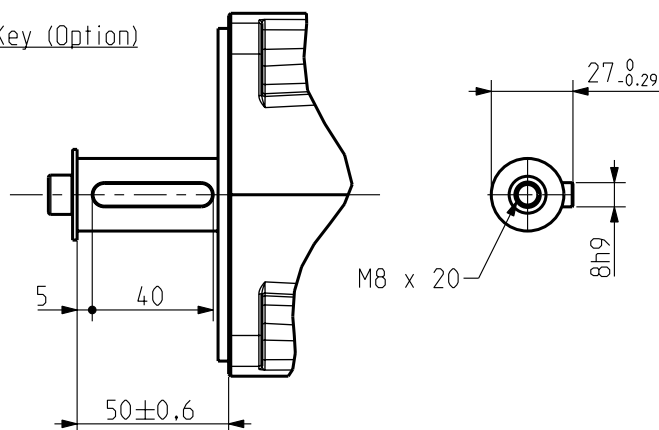
Feedback letter : Y (Sensorless)



Brake version

Shaft End

Key (Option)



SCALE 2:5

BRAKE

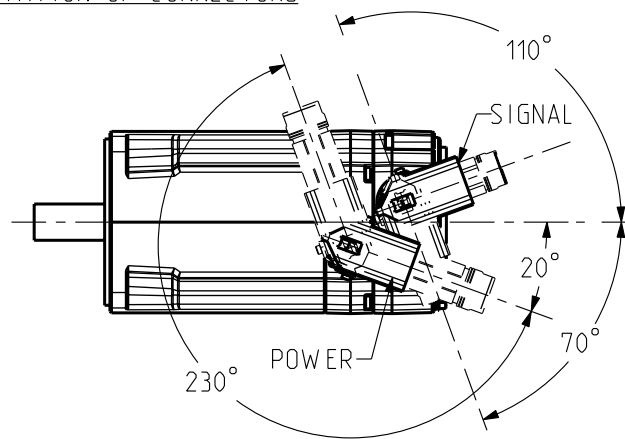
Supply voltage : 24V ±10%  
Static torque

	EY620	EY630
20 °C	12 Nm	12 Nm
100 °C	8 Nm	8 Nm

Weight

	EY620	EY630
No Brake	6.9 Kg	8.8 Kg
With Brake	8 Kg	10 Kg

ORIENTATION OF CONNECTORS



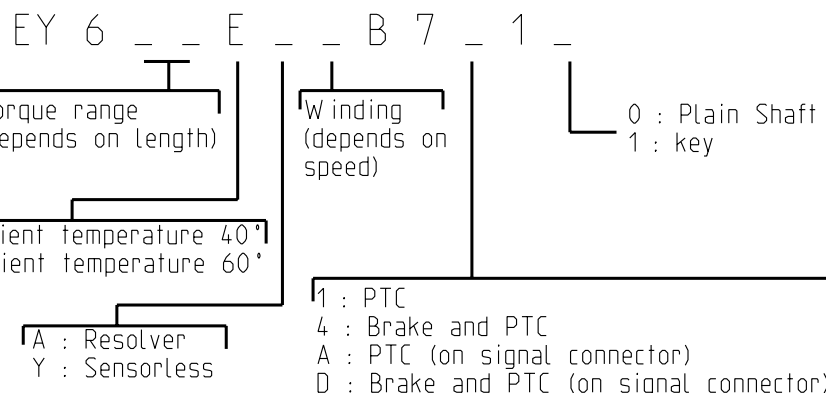
Setting of the orientation regarding technical manual



Protection  
.II 3 G Ex nA IIC T3 Gc IP65  
.II 3 D Ex tc IIIC T200°C Dc IP65

Suivant les normes / Regarding standards :  
\*EN 60079-0 : 2012 + A11 : 2013  
\*EN 60079-15 : 2010  
\*EN 60079-31 : 2014

		Resolver (A)	Sensorless (Y)
EY620	L (mm)	195	195
	L' (mm)	249	249
EY630	L (mm)	224	224
	L' (mm)	278	278

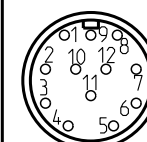


ENCODER SETTINGS

Feedback Letter : A

Motor powered by direct current at the current nominal value (W+ et V-), the shift is 90° electrical

SIGNAL CONNECTOR

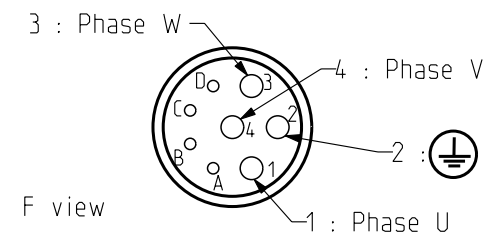


12 pins  
F view

S1 = Cos -	S2 = Sin -	R1 = excitation +
S3 = Cos +	S4 = Sin +	R2 = excitation -

Rotor rotating clockwise viewed from shaft end.

POWER CONNECTOR



A : Brake + (Option)  
B : Brake - (Option)  
C : PTC  
D : PTC

If the option is required

Sheet:1/1

THIS DOCUMENT CONTAINS INFORMATION THAT IS CONFIDENTIAL AND PROPRIETARY TO PARKER-HANNIFIN CORPORATION. THIS DOCUMENT IS FURNISHED ON THE UNDERSTANDING THAT THE DOCUMENT AND THE INFORMATION IT CONTAINS WILL NOT BE COPIED OR DISCLOSED TO OTHERS OR USED FOR ANY PURPOSE OTHER THAN CONDUCTING BUSINESS WITH PARKER-HANNIFIN CORPORATION. AND WILL BE RETURNED AND ALL FURTHER USE DISCONTINUED UPON REQUEST BY PARKER-HANNIFIN CORPORATION. THE RECIPIENT OF THIS DOCUMENT THROUGH ITS OWN ANALYSIS AND TESTING IS SOLELY RESPONSIBLE FOR MAKING THE FINAL SELECTION OF THE APPLICABLE SYSTEM AND COMPONENTS AND ASSURING THAT ALL PERFORMANCE, ENDURANCE, MAINTENANCE, SAFETY AND WARNING REQUIREMENTS OF THE APPLICATION ARE MET. COPYRIGHT PARKER-HANNIFIN CORPORATION. YEAR OF COPYRIGHT IS FIRST YEAR INDICATED ON THIS DOCUMENT. ALL RIGHTS RESERVED.

General tolerances  
DIN ISO 2768 mK

Drawn	05/04/2016	PF	Visa						
Modifications									

Scale  
1:4



4 Bd Eiffel. CS 40090  
21604 LONGVIC CEDEX

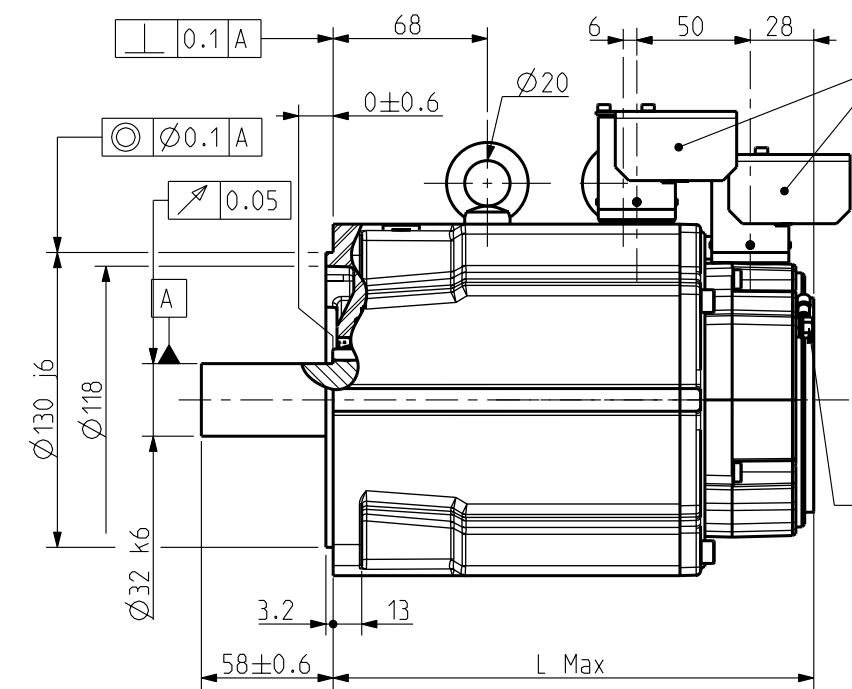
EY600

OUTLINE DRAWING

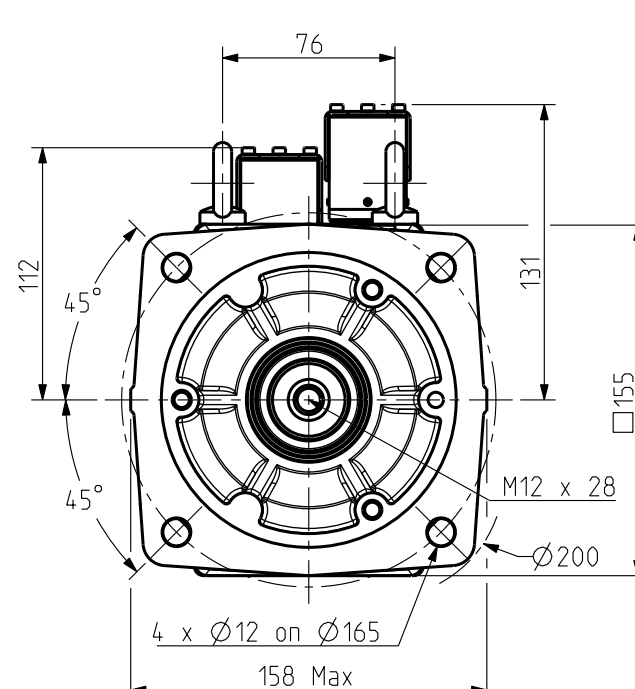
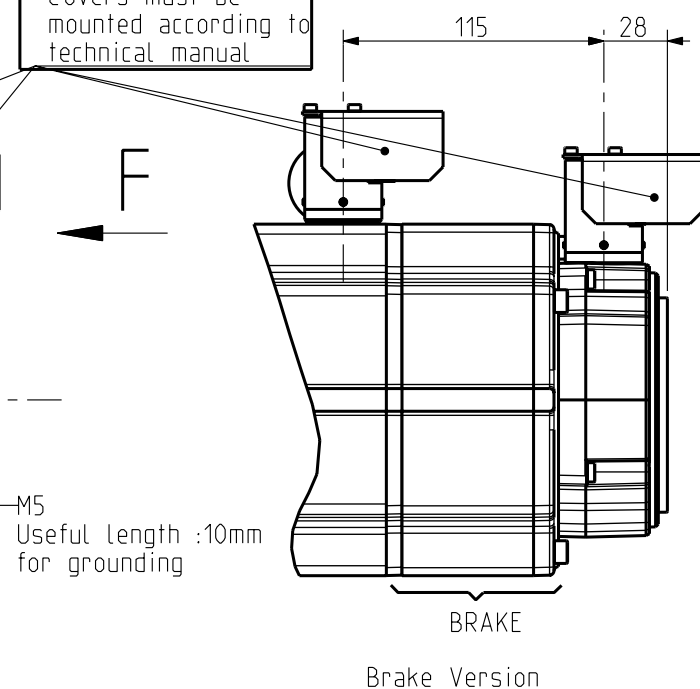
Format	F	E	S	G	I
A3	x				

345349

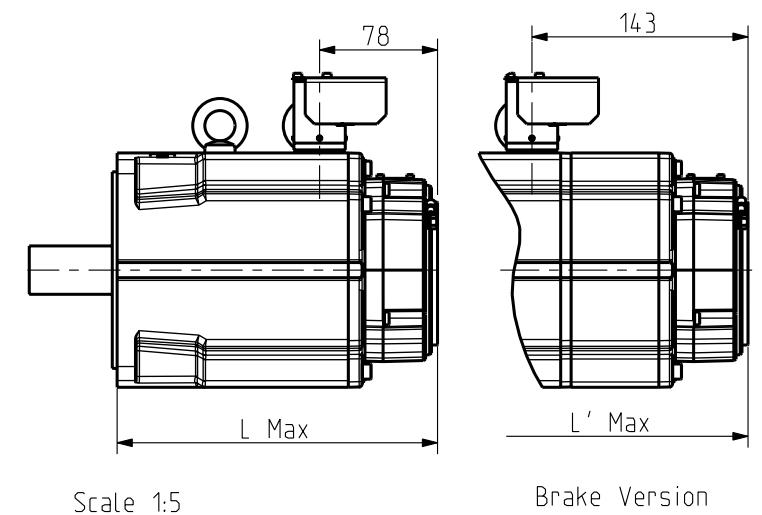
Feedback letter : A (Resolver)



MANDATORY :  
Covers must be  
mounted according to  
technical manual

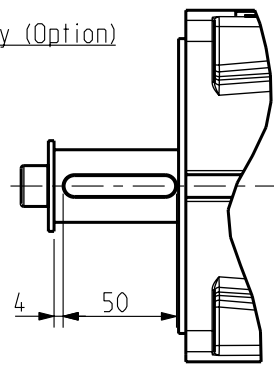


Feedback letter : Y (Sensorless)

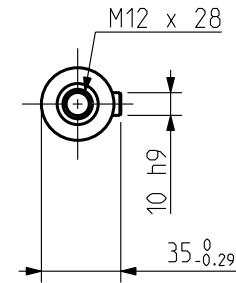


Shaft End

Key (Option)



Scale 3:10



**BRAKE**

Supply voltage : 24V ±10%  
Static torque

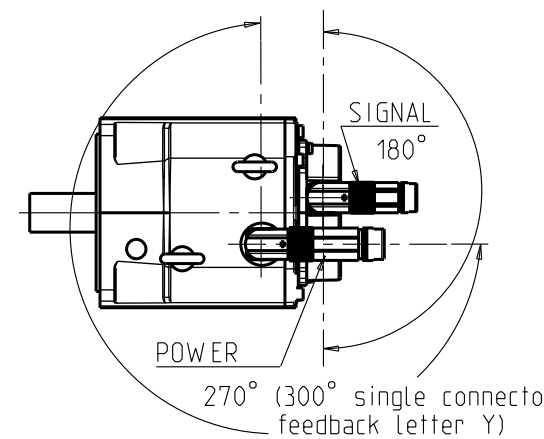
	EY820	EY840	EY860
20 °C	36 Nm	36 Nm	36 Nm
100 °C	32 Nm	32 Nm	32 Nm

**Weight**

	EY820	EY840	EY860
No Brake	13 Kg	20 Kg	27 Kg
With Brake	16.5 Kg	23.5 Kg	30.5 Kg

**ORIENTATION OF CONNECTORS**

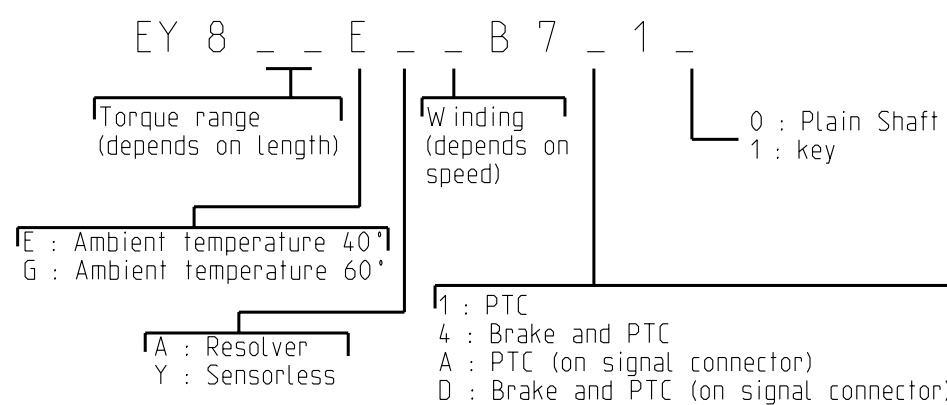
Setting of the orientation regarding technical manual



Protection  
.II 3 G Ex nA IIC T3 Gc IP65  
.II 3 D Ex tc IIIC T200 °C Dc IP65

Suivant les normes / Regarding standards :  
\*EN 60079-0 : 2012 + A11 ;  
\*EN 60079-15 : 2010 ;  
\*EN 60079-31 : 2014 ;

		Resolver (A)	Sensorless (Y)
EY820	L (mm)	213	213
	L' (mm)	279	279
EY840	L (mm)	273	273
	L' (mm)	339	339
EY860	L (mm)	333	333
	L' (mm)	399	399

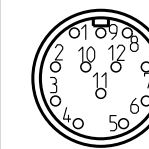


**ENCODER SETTINGS**

Feedback Letter : A

Motor powered by direct current at the current nominal value (W+ et V-), the shift is 90° electrical

**SIGNAL CONNECTOR**



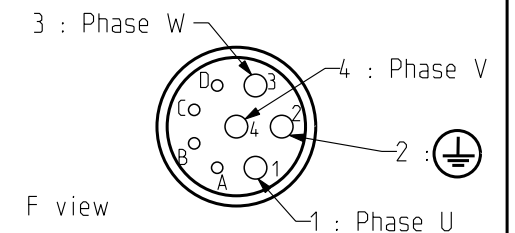
12 pins

F view

S1 = Cos -	S2 = Sin -	R1 = excitation +
S3 = Cos +	S4 = Sin +	R2 = excitation -

Rotor rotating clockwise viewed from shaft end.

**POWER CONNECTOR**



F view

A : Brake + (Option)  
B : Brake - (Option)  
C : PTC  
D : PTC

If the option is required

THIS DOCUMENT CONTAINS INFORMATION THAT IS CONFIDENTIAL AND PROPRIETARY TO PARKER-HANNIFIN CORPORATION. THIS DOCUMENT IS FURNISHED ON THE UNDERSTANDING THAT THE DOCUMENT AND THE INFORMATION IT CONTAINS WILL NOT BE COPIED OR DISCLOSED TO OTHERS OR USED FOR ANY PURPOSE OTHER THAN CONDUCTING BUSINESS WITH PARKER-HANNIFIN CORPORATION, AND WILL BE RETURNED AND ALL FURTHER USE DISCONTINUED UPON REQUEST BY PARKER-HANNIFIN CORPORATION. THE RECIPIENT OF THIS DOCUMENT THROUGH ITS OWN ANALYSIS AND TESTING IS SOLELY RESPONSIBLE FOR MAKING THE FINAL SELECTION OF THE APPLICABLE SYSTEM AND COMPONENTS AND ASSURING THAT ALL PERFORMANCE, ENDURANCE, MAINTENANCE, SAFETY AND WARNING REQUIREMENTS OF THE APPLICATION ARE MET. COPYRIGHT PARKER-HANNIFIN CORPORATION, YEAR OF COPYRIGHT IS FIRST YEAR INDICATED IN THIS DOCUMENT. ALL RIGHTS RESERVED

General tolerances

DIN ISO 2768 mK

Drawn  
05/04/2016  
PF  
Visa

05/04/2016

PF

Visa

Modifications

A

AM24600 - 27/09/2016 PF



Scale

1:5



4 Bd Eiffel. CS 40090  
21604 LONGVIC CEDEX

EY800

OUTLINE DRAWING

Format  
A3

F E S G I  
x

345350

A

Sheet:1/1